



# GENERAL CATALOG





# Contents

<u>Model Name</u>	<u>Page</u>
KM 902-T1 Waistband Attaching/Sewing Automat For Jeans.....	2-6
KM 921 AR-T3 Waistband Attaching/Sewing Automat For Jeans.....	7-11
KM 930 LS-T1 Waistband Attaching/Sewing Automat For Jeans.....	12-16
KM 930 ST\LS-T3 Waistband Attaching/Sewing Automat For Jeans.....	17-21
KM 930 SDX-T3 Waistband Attaching/Sewing Automat For Jeans.....	22-26
KM 930 GD-T3 Waistband Attaching/Sewing Automat For Jeans.....	27-31
KZ 1060 JL-T3 Feed Off The Arm Sewing Automat For Jeans.....	32-36
KZ 1060 JL-T3 ZD1001 Feed Off The Arm Sewing Automat For Jeans.....	37-41
KZ 1080 DFX-T1 Feed Off The Arm Sewing Automat For Jeans.....	42-46
KZ 1080 DFX-T1 ZD1001 Feed Off The Arm Sewing Automat For Jeans.....	47-51
KLR 400-T2 Double Head Serging/Sewing Automat For Jeans.....	52-56

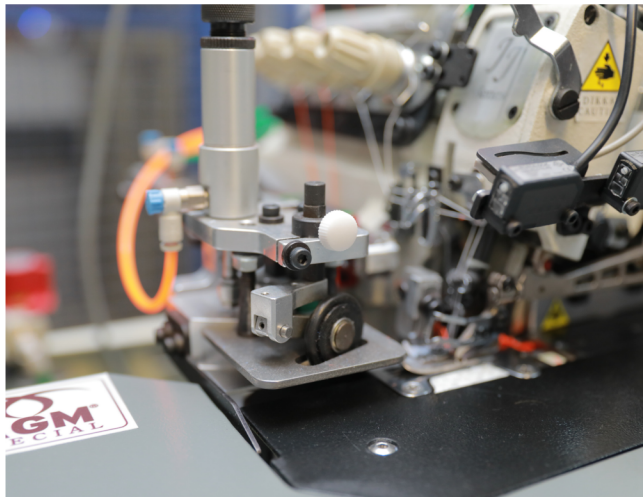
# "We as Agm Special lead the way of developing of the jeans sewing machines automation industry powered by our deep roots "



AGM Special is a leading global automated sewing machines manufacturer for jeans trousers manufacturing industry and that offers clean, connected, affordable and safe sewing automation solutions. Our Company's strength lies in the breadth of our iconic brand portfolio, the diversity and passion of our people, and our deep roots in the communities in which we operate.

Our ambitious desinging of the sewing automation strategies and the creation of an innovative research and development, game-changing partnerships are driving our transformation to a sustainable sewing automation tech company. It is the energy, passion and diversity of our people and brands that power us to do great things, exceeding expectations and setting the highest standards for our future. With sales, after sales and industrial operations in nearly 3 continental, Agm Special has the ability to consistently exceed the evolving needs and expectations of consumers in more than 15+ countries, while creating superior value for all stakeholders.

Behind every brand, behind every product there is a team of talented people who make it possible. We are coming together with some of the most iconic tech brands in the world, with some of the greatest products and technologies on the market. Our strength lies in the rich backgrounds, passions and experiences of our employees from all around the world. Agm Special is the place where you can make a difference.



Our diverse and innovative team will play an integral role in creating a new leader for the next era of sewing automation industry. We are easier the lives of thousands of jeans manufacturer and machine operator from all over the world through sustainable experiences that meet customers' new expectations. It's through committed people who are open, courageous and have a competitive spirit that we will continue our pursuit of greatness. In this new era, our company is uniquely positioned to offer innovative and sustainable solutions to meet the evolving needs of customers, as they embrace productivitiy.

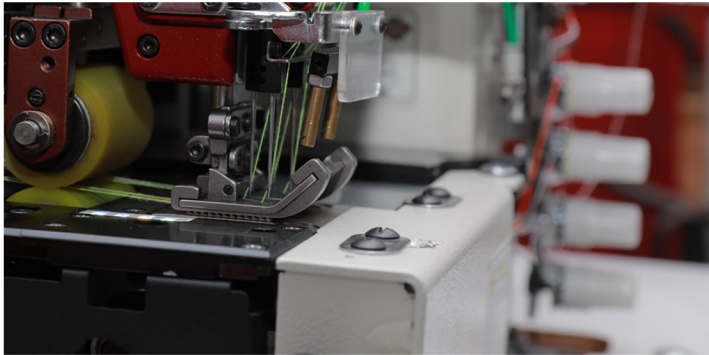
Founded by visionaries who infused them with passion and competitive spirit, our brand offer a full spectrum of choice from all type of waistband attaching/sewing machines for jeans to feed off the arm sewing machines for jeans and double head surging/sewing automats for jeans.

# KM 902-T1

## Waistband Attaching/Sewing Automat For Jeans



# Details



AGM Special KM 902-T1 model machine is usable for in particularly pattern and sample sewing lines. Also suitable for standart jeans sewing lines.



### SPECIAL DESIGN 6 NEEDLE CHAIN STITCH MACHINE HEAD

The machine head specially designed for AGM Special with 1/8" needle distance.

### DIRECT DRIVE SERVO ELECTRONIC MOTOR

Energy saver electronic servo motor.



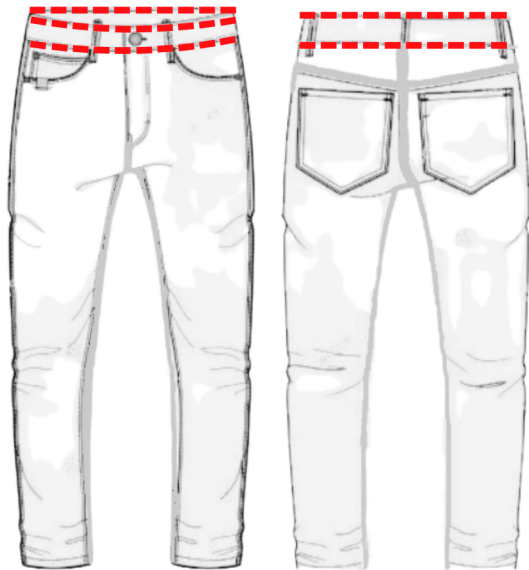
### AUTOMATIC FOOT LIFTER

Easy foot lifting by using pedal.

### UPPER AND LOWER RUBBER ROLLER

Upper and lower rubber roller for both curved and flat form waistbands

# Technical Features



6 needle chain stitch sewing machine head specially designed for AGM Special.

Special design guided presser foot.

Upper and lower rubber roller for curved and flat form waistbands.

Automatic double tension mechanism that prevents sharp chain stitch effects.

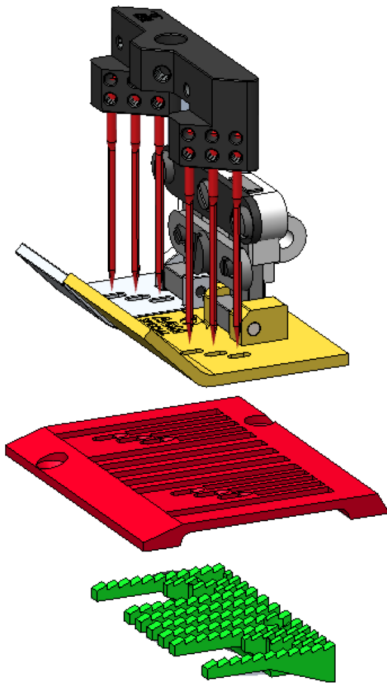
Oil tank drain mechanism for an easy oil change.

Energy saver direct drive electronic servo motor.

Adjustable L type table and stand.

Automatic foot lifter.





## Gauge Set Options

Standard Gauge Set : 1/8"-1/8"-1"-1/8"-1/8"

Optional Gauge Sets

Needle Distance : Minimum 1/8 " , Maximum 1/4 "

Needle No : Minimum 1 , Maximum 6

Gauge Set Size : Minimum 1 " , Maximum 1 3/4 "

Machine Head :	6 needle chain stitch
Motor :	Direct drive servo electronic motor
Table and Stand :	Adjustable L type
Foot Lifter Device :	Automatic
Extra Pulling Device :	Additional pulling roller device behind the blade
Needle Cooling :	Extra strong needle cooling
Presser Foot :	Guided pressure foot
Roller Device :	Upper and lower rubber roller
Puller Adjustment :	Easy to change puller adjustment system
Roller Air Pressure :	Extra air pressure system on roller
Tension Mechanism :	Mechanism that prevents sharp chain stitch effects
Maximum Speed :	3200 rpm
Daily Capacity :	1300-1600 pcs/8 hours

Net Weight :	98 kg
Gross Weight :	111 kg
Dimensions	60x100x130 cm
Air Pressure :	6 bar
Voltage :	220-240v 60Hz
Power :	2400-2800w



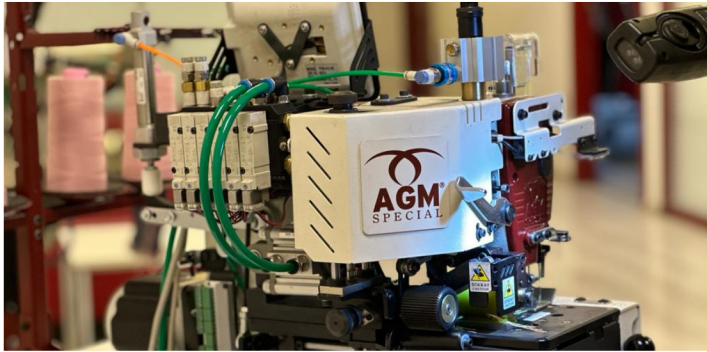


# KM 921 AR-T3

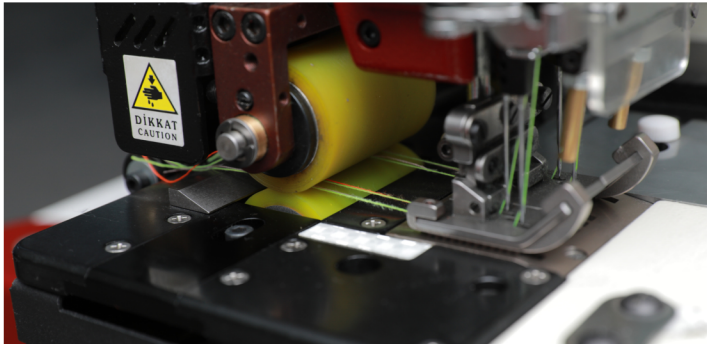
Waistband Attaching/Sewing Automat For Jeans



## Details



KM 921 AR-T3 model waistband attaching/sewing automat is a flexible, efficiency and high quality output. The daily capacity is 1700-2500 pcs/8 hours. The innovative transport system allows the machine to perform on all type of fabrics.

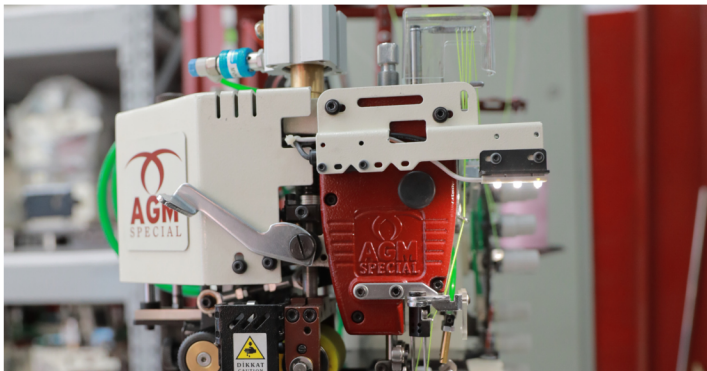


### THE STAND-ALONE NEEDLE SUPPORT SYSTEM

The stand-alone needle support system does not require additional needle support adjustment when the stitch length is changed.

### ADJUSTABLE CUTTING DEVICE

Automatic cutting program can be adjust easily on panel

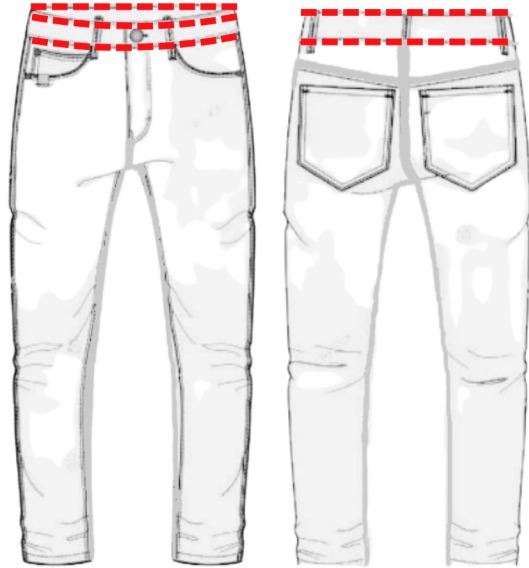


### PROGRAMMABLE SKIP STITCH OPTIONS

The skip stitch can be adjusted seperately(left-right) according to waistband design.

### 6 NEEDLE CHAIN STITCH MACHINE HEAD

The machine head specially designed for AGM Special with 1/8" needle distance.



The stand-alone needle support system does not require additional needle support adjustment when the stitch length is changed.

6 needle chain stitch sewing machine head.

Software fully developed by AGM Special.

Left and right independently adjustable skip stitch feature.

Additional pulling roller device behind the blade.

Automatic cutting device on enter and exit.

Special design guided presser foot.

Upper and lower rubber roller for curved and flat form waistbands.

Automatic double tension mechanism that prevents sharp chain stitch effects.

Oil tank drain mechanism for an easy oil change.

Easy to use touch screen with Turkish and English languages option.

# Options

## Gauge Set Options

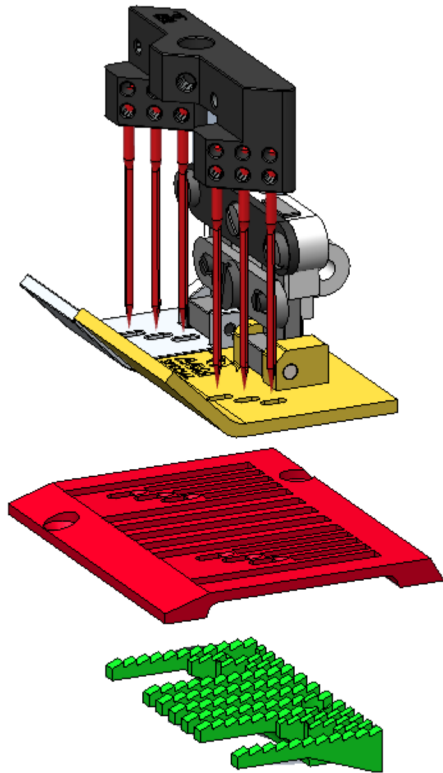
Standard Gauge Set : 1/8"-1/8"-1"-1/8"-1/8"

Optional Gauge Sets

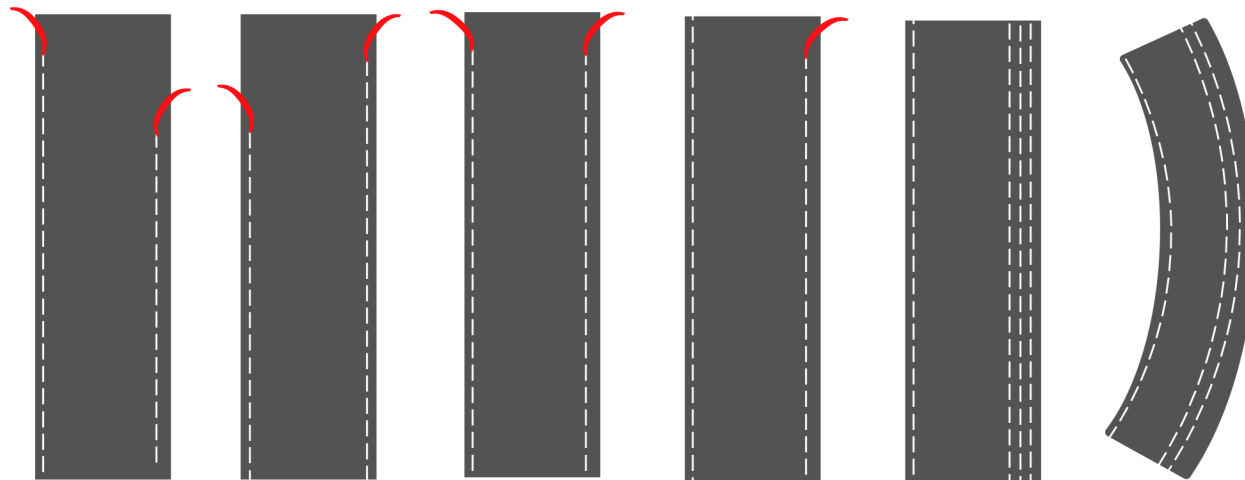
Needle Distance : Minimum 1/8 " , Maximum 1/4 "

Needle No : Minimum 1 , Maximum 6

Gauge Set Size : Minimum 1 " , Maximum 1 3/4 "



## Skip Stitch Options



Machine Head :	6 needle chain stitch
Motor :	Direct drive servo electronic motor
Table and Stand :	Adjustable L type
Skip Stitch :	Stand-alone adjustable left and right stitch skipping
Cutting :	Automatic cutting device on enter and exit
Foot Lifter :	Automatic
Extra Pulling :	Additional pulling roller device behind the blade
Needle Cooling :	Extra strong needle cooling
Presser Foot :	Guided pressure foot
Roller Device :	Upper and lower rubber roller
Puller Adjustment :	Easy to change puller adjustment system
Oil Tank Drain :	Oil tank drain mechanism for an easy oil change.
Roller Air Pressure :	Extra air pressure system on roller.

Tension Mechanism:	That prevents sharp chain stitch effects
Touch Screen :	Turkish and English languages option
Blade Cutting Range :	55 mm
Maximum Speed :	3200 rpm
Daily Capacity :	1700-2500 pcs/8 hours
Net Weight :	98 kg
Gross Weight :	111 kg
Dimensions :	60x100x130 cm
Air Pressure :	6 bar
Voltage :	220-240v 60Hz
Power :	2400-2800w

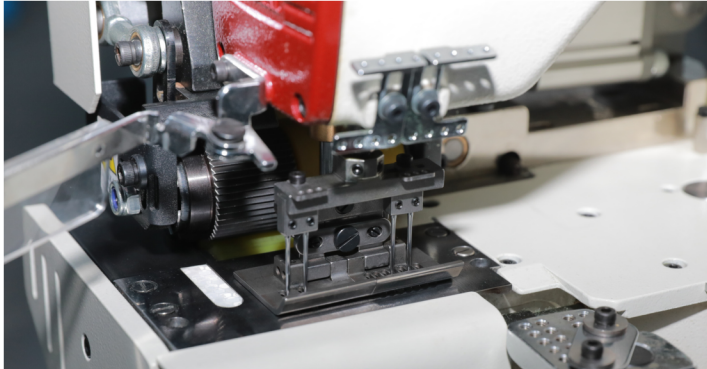


# KM 930 LS-T1

LEVI'S type Waistband Attaching Sewing Automat



## Details



Electronic waistband attaching sewing machine specially designed for attaching LEVI'S type waistbands.



### WEAVE CHAIN UNDER NO LOAD CONDITIONS

Ability to weave chain while operating under no load conditions.

### THREAD CUTTER WITH CHAIN HOLDER

Automatic thread cutting system with chain holder.

### DIRECT DRIVE SERVO ELECTRONIC MOTOR

Energy saver electronic servo motor.



### SPECIAL DESIGN PRESSURE FOOT AND FEED DOG

Special designed pressure foot and feed dog for LEVI'S type waistband attaching method by AGM Special.

# Technical Features



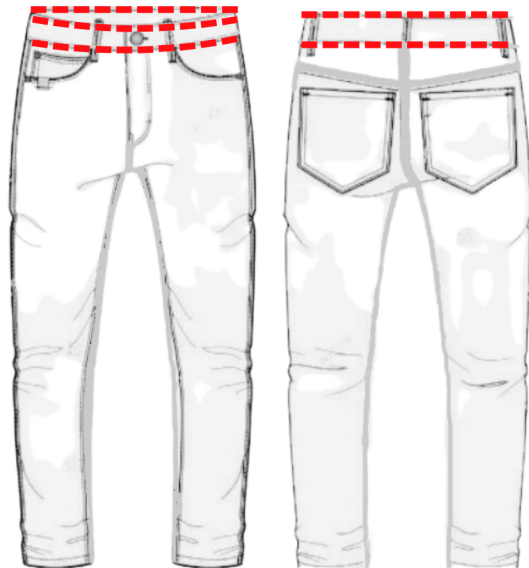
Allows to attaching LEVI'S type waistband

Adjustable L type table and stand.

Needle feed 6 needle chain stitch sewing machine head specially designed for AGM Special.

Special designed guided presser foot by AGM Special.

Automatic double tension mechanism that prevents sharp chain stitch effects.





# Options

## Gauge Set Options

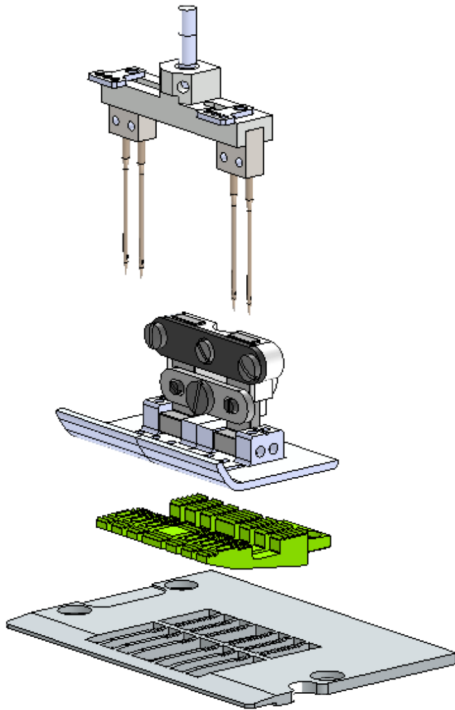
Standard Gauge Set : 1 3/8"

Optional Gauge Sets

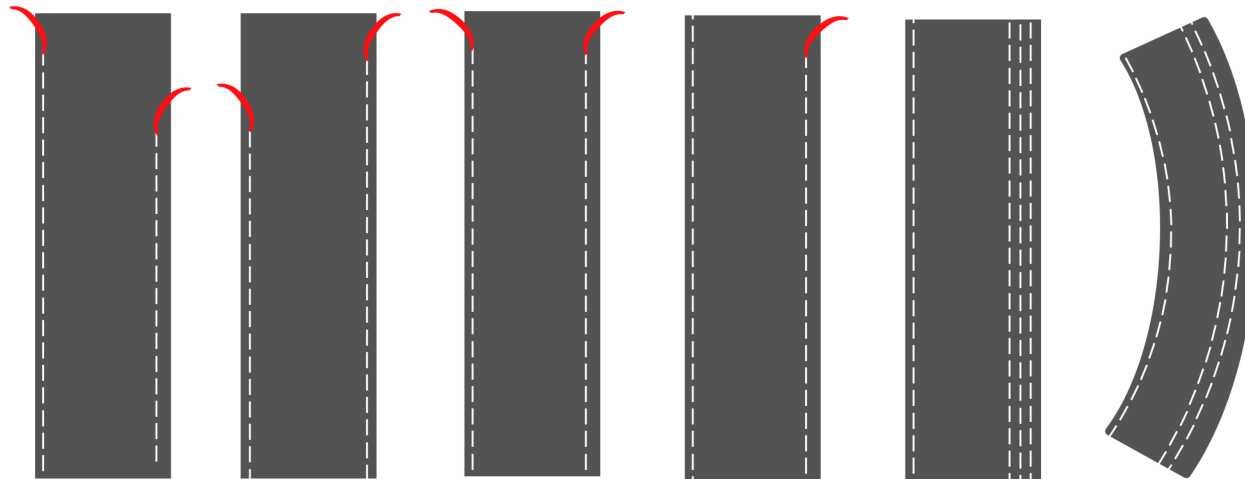
Needle Distance : 1 3/8"

Needle No : Minimum 1 , Maximum 4

Gauge Set Size : Minimum 1" , Maximum 1 3/4"



## Skip Stitch Options



# KM 930 LS-T1

LEVI'S type Waistband Attaching Sewing Automat

## Technical Specifications



Machine Head :	Needle feed 6 needle chain stitch	Air Pressure :	6 bar
Motor :	Direct drive servo electronic motor	Voltage :	220-240v 60Hz
Table and Stand :	Adjustable L type	Power :	2400-2800w
Foot Lifter :	Automatic		
Presser Foot :	Special LEVI'S type pressure foot		
Puller Adjustment :	Easy to change puller adjustment system		
Tension Mechanism :	That prevents sharp chain stitch effects		
Maximum Speed :	3200 rpm		
Daily Capacity :	800-1000 pcs/8 hours		
Net Weight :	98 kg		
Gross Weight :	111 kg		
Dimensions	60x100x130 cm		

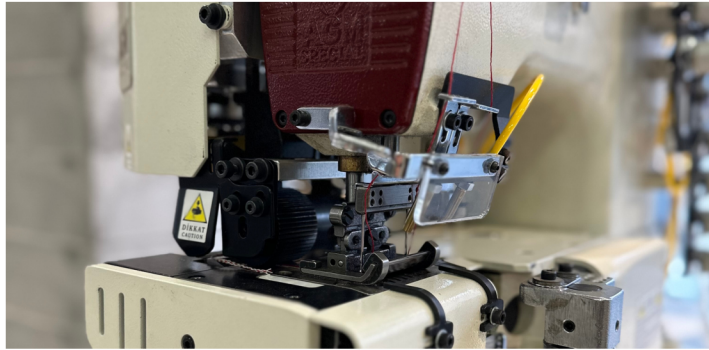


# KM 930 ST/LS-T3

Waistband Attaching/Sewing Automat For Jeans



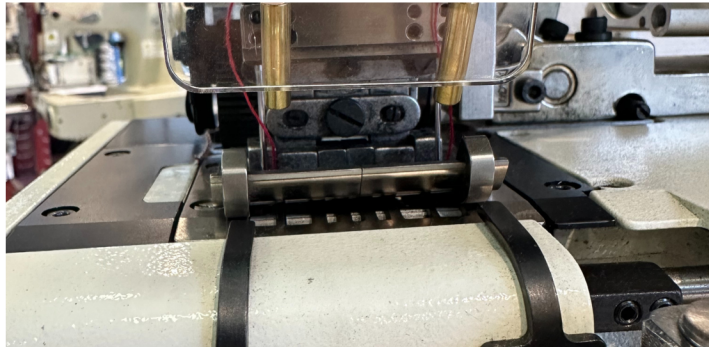
# Details



The World's first and only Hybrid Waistband Attaching/Sewing Automat. This machine can be used for attaching both standard straight and curved waistband forms and also suitable piece by piece waistband attaching/sewing method (LEVI'S type). The transformation is simply done by changing the proper gauge set and LEVI'S type apparatus.

## SIMPLY GAUGE SET CHANGING

The transformation from standard type into LEVI'S type is simply done by changing the proper gauge set and LEVI'S type apparatus.



## PROGRAMMABLE SKIP STITCH OPTIONS

The skip stitch can be adjusted separately (left-right) according to waistband design.

## ADJUSTABLE CUTTING DEVICE

Automatic cutting program can be adjustable easily on panel



## NEEDLE FEED 6 NEEDLE CHAIN STITCH MACHINE HEAD

The machine head specially designed for AGM Special with 1/8" needle distance.

# Technical Features



Allows to attaching both piece by piece waistband attaching/sewing method (LEVI'S type) and standart continues type waistbands in one single machine.

Needle feed 6 needle chain stitch sewing machine head specially designed for AGM Special.

Software fully developed by AGM Special.

Left and right independently adjustable skip stitch feature.

Additional pulling roller device behind the blade.

Automatic cutting device on enter and exit.

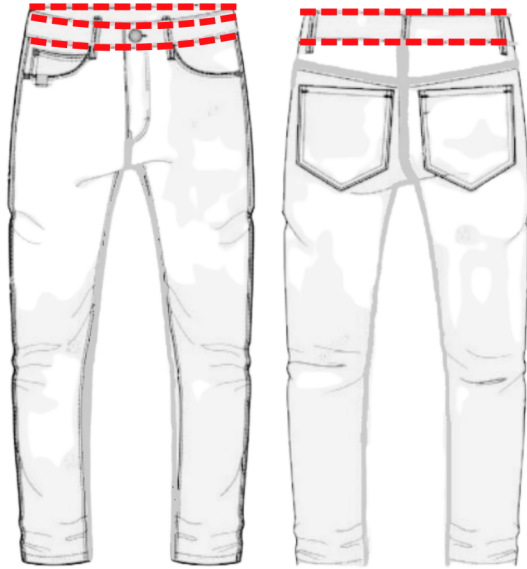
Special design guided presser foot.

Upper and lower rubber roller for curved and flat form waistbands.

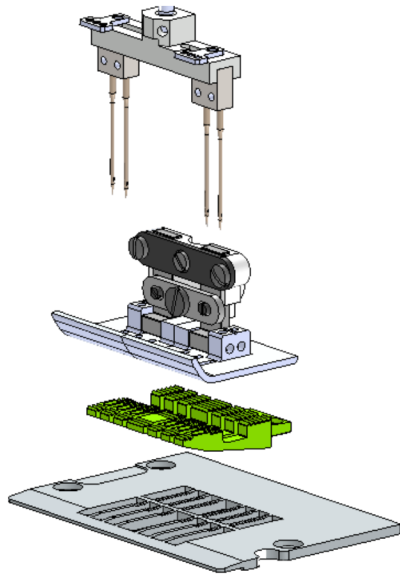
Automatic double tension mechanism that prevents sharp chain stitch effects.

Oil tank drain mechanism for an easy oil change.

Easy to use touch screen with Turkish and English languages option.



# Options



## Gauge Set Options

Standard Gauge Set : 1/4 " - 1 " - 1/4 "

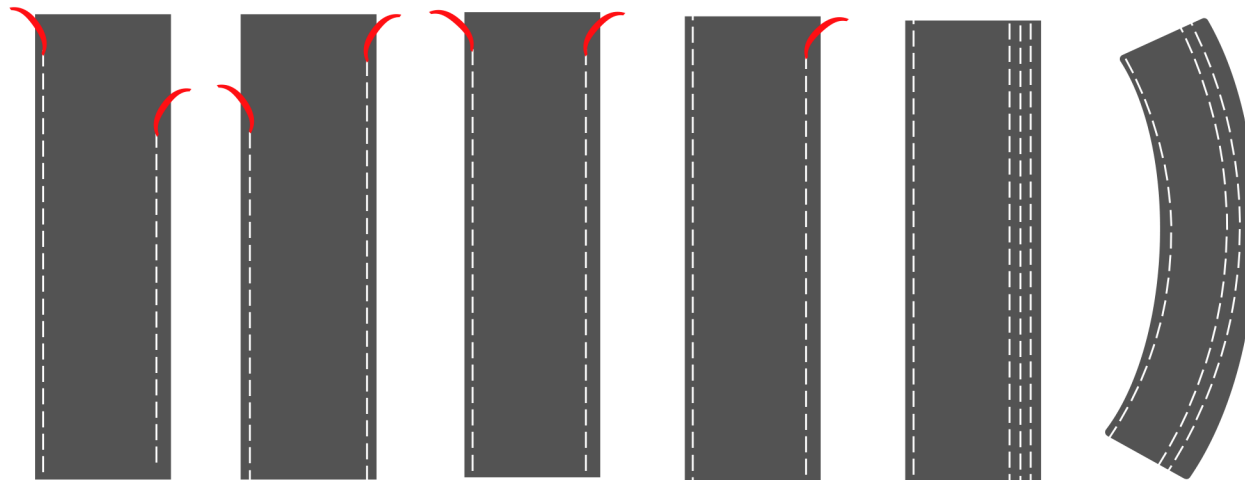
Optional Gauge Sets

Needle Distance : Minimum 1/8 " , Maximum 1/4 "

Needle No : Minimum 1 , Maximum 6

Gauge Set Size : Minimum 1 " , Maximum 1 3/4 "

## Skip Stitch Options



Machine Head :	Needle feed 6 needle chain stitch
Motor :	Direct drive servo electronic motor
Table and Stand :	Adjustable L type
Skip Stitch :	Stand-alone adjustable left and right stitch skipping
Cutting :	Automatic cutting device on enter and exit
Foot Lifter :	Automatic
Extra Pulling :	Additional pulling roller device behind the blade
Needle Cooling :	Extra strong needle cooling
Presser Foot :	Guided pressure foot
Roller Device :	Upper and lower rubber roller
Puller Adjustment :	Easy to change puller adjustment system
Oil Tank Drain :	Oil tank drain mechanism for an easy oil change.
Roller Air Pressure :	Extra air pressure system on roller.

Tension Mechanism:	That prevents sharp chain stitch effects
Touch Screen :	Turkish and English languages option
Blade Cutting Range :	55 mm
Maximum Speed :	3200 rpm
Daily Capacity :	1700-2500 pcs/8 hours
Net Weight :	98 kg
Gross Weight :	111 kg
Dimensions	60x100x130 cm
Air Pressure :	6 bar
Voltage :	220-240v 60Hz
Power :	2400-2800w

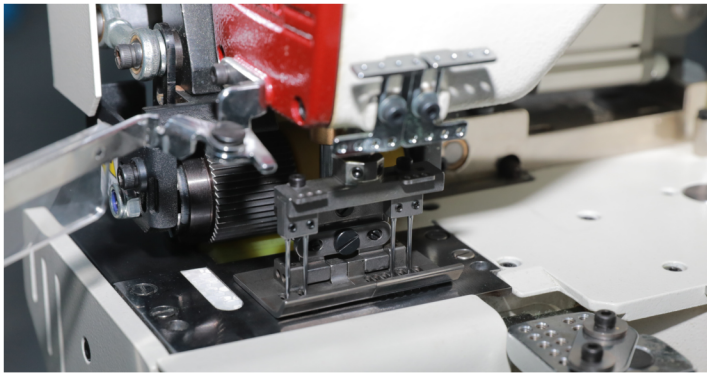


# KM 930 SDX-T3

Waistband Attaching/Sewing Automat For Jeans







AGM Special KM 930 SDX-T3 model automatic without feed dog waistband attaching machine designed for jeans trousers, chino type casual trousers , jeans jackets and work wear manufacturers.

### WITHOUT FEED DOG

Without feed dog, superior stitch quality on all kinds of fabrics thanks to the lower and upper strong roller group.

### NO NEED TO CHANGE GAUGE SET

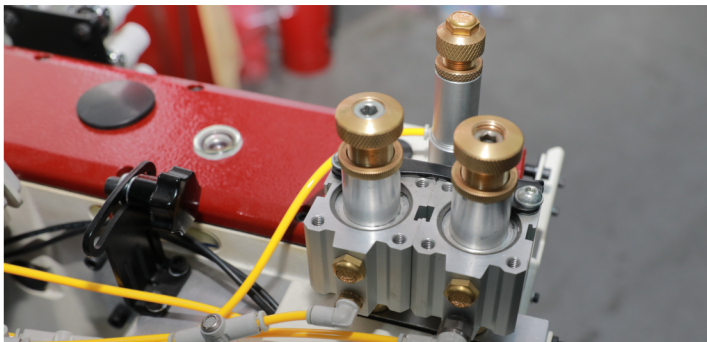
Adjustable gauge set from 1" to 2".

### PROGRAMMABLE SKIP STITCH OPTIONS

The skip stitch can be adjusted separately(left-right) according to waistband design.

### DOUBLE ROLLER SYSTEM WITH SHOCK ABSORBER

Improved for different fabric thickness double roller system with shock absorber.



# Technical Features



Special design without feed dog.

Possibility to adjust from 1" to 2" with existing gauge set without gauge set changing

Needle feed 6 needle chain stitch sewing machine head specially designed for AGM Special.

Software fully developed by AGM Special.

Left and right independently adjustable skip stitch feature.

Additional pulling roller device behind the blade.

Automatic cutting device on enter and exit.

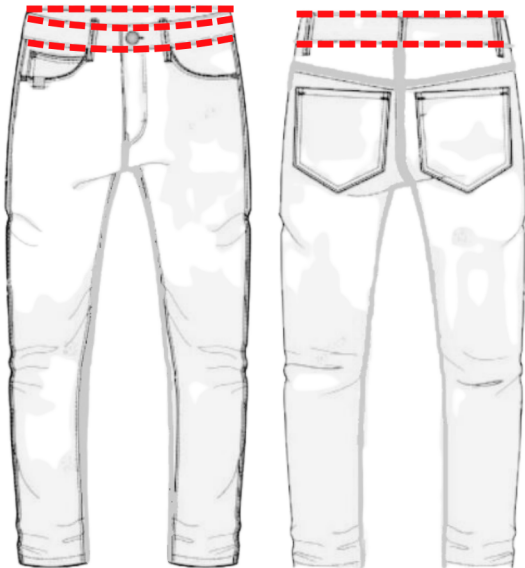
Special design guided presser foot.

Upper and lower rubber roller for curved and flat form waistbands.

Automatic double tension mechanism that prevents sharp chain stitch effects.

Easy to use touch screen with Turkish and English languages option.

Oil tank drain mechanism for an easy oil change.



## Gauge Set Options

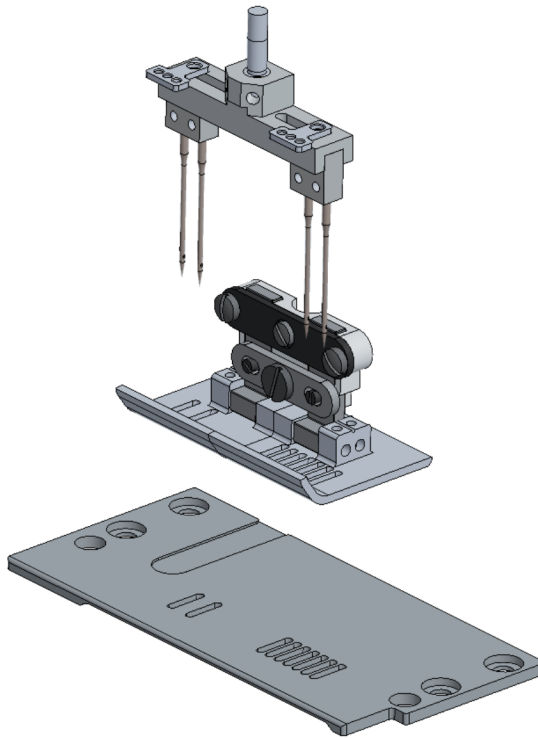
Standard Gauge Set : Minimum 1" , maximum 2" special gauge set

Optional Gauge Sets

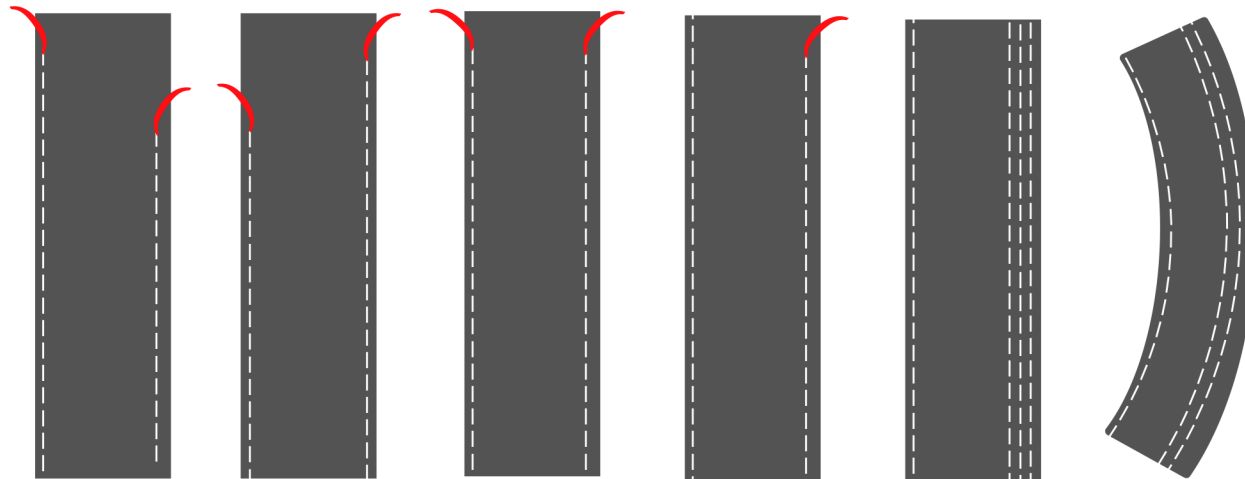
Needle Distance : 1/4 "

Needle No : Minimum 1 , Maximum 4

Gauge Set Size : Minimum 1 " , Maximum 2 "



## Skip Stitch Options



Machine Head :	Needle feed 6 needle chain stitch
Motor :	Direct drive servo electronic motor
Table and Stand :	Adjustable L type
Skip Stitch :	Stand-alone adjustable left and right stitch skipping
Cutting :	Automatic cutting device on enter and exit
Foot Lifter :	Automatic
Extra Pulling :	Additional pulling roller device behind the blade
Needle Cooling :	Extra strong needle cooling
Presser Foot :	Guided pressure foot
Roller Device :	Upper and lower rubber roller
Puller Adjustment :	Easy to change puller adjustment system
Oil Tank Drain :	Oil tank drain mechanism for an easy oil change.
Roller Air Pressure :	Extra air pressure system on roller.

Tension Mechanism:	That prevents sharp chain stitch effects
Touch Screen :	Turkish and English languages option
Blade Cutting Range :	55 mm
Maximum Speed :	3200 rpm
Daily Capacity :	1700-2500 pcs/8 hours
Net Weight :	98 kg
Gross Weight :	111 kg
Dimensions	60x100x130 cm
Air Pressure :	6 bar
Voltage :	220-240v 60Hz
Power :	2400-2800w



# KM 930 GD-T3

Waistband Attaching/Sewing Automat For Jeans



## Details



The World's first and only Waistband Automat which allows to attaching wider waistband forms from minimum 1 1/4" to maximum 2 3/4" with feed dog.

**GAUGE SET BETWEEN 1 3/4"- 2 3/4" WIDER WAISTBAND**  
AGM Special KM 930 GD-T3 model machine is manufactured to perfect solution for meeting manufacturer requirements of wider waistbands.

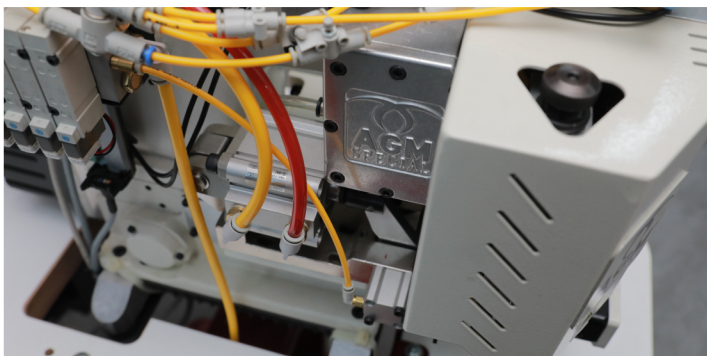


### ADJUSTABLE CUTTING DEVICE

Automatic cutting program can be adjustable easily on panel.

### PROGRAMMABLE SKIP STITCH OPTIONS

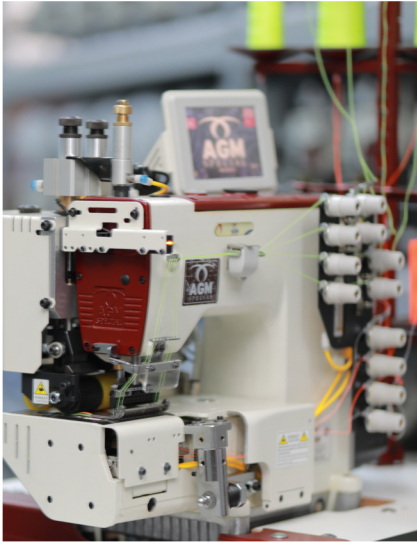
The skip stitch can be adjusted separately(left-right) according to waistband design.



### NEEDLE FEED 6 NEEDLE CHAIN STITCH MACHINE HEAD

The machine head specially designed for AGM Special with 1/8" needle distance.

# Technical Features



Allows to attaching wider waistband forms gauge set between minimum 1 3/4" - maximum 2 3/4"

Needle feed 6 needle chain stitch sewing machine head.

Software fully developed by AGM Special.

Left and right independently adjustable skip stitch feature.

Additional pulling roller device behind the blade.

Automatic cutting device on enter and exit.

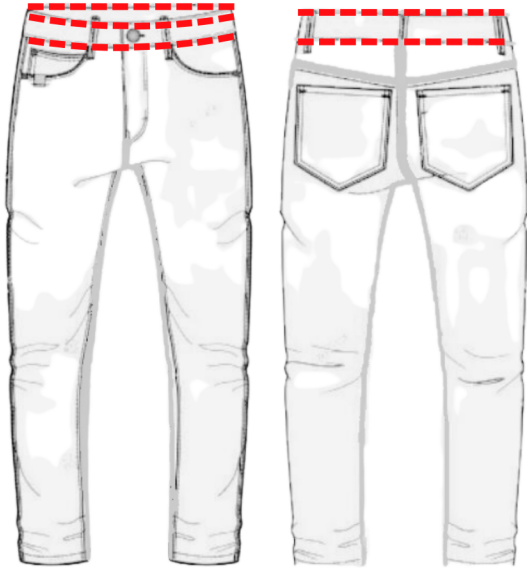
Special design guided presser foot.

Upper and lower rubber roller for curved and flat form waistbands.

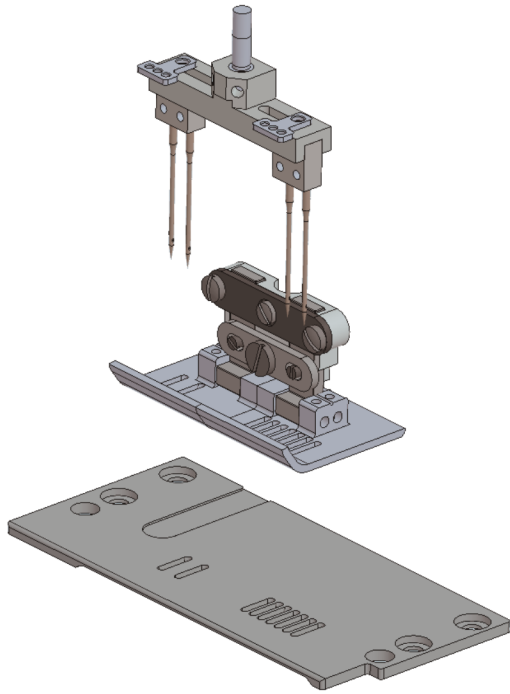
Automatic double tension mechanism that prevents sharp chain stitch effects.

Oil tank drain mechanism for an easy oil change.

Easy to use touch screen with Turkish and English languages option.



# Options



## Gauge Set Options

Standard Gauge Set : Minimum 1 3/4" , maximum 2 3/4" special gauge set

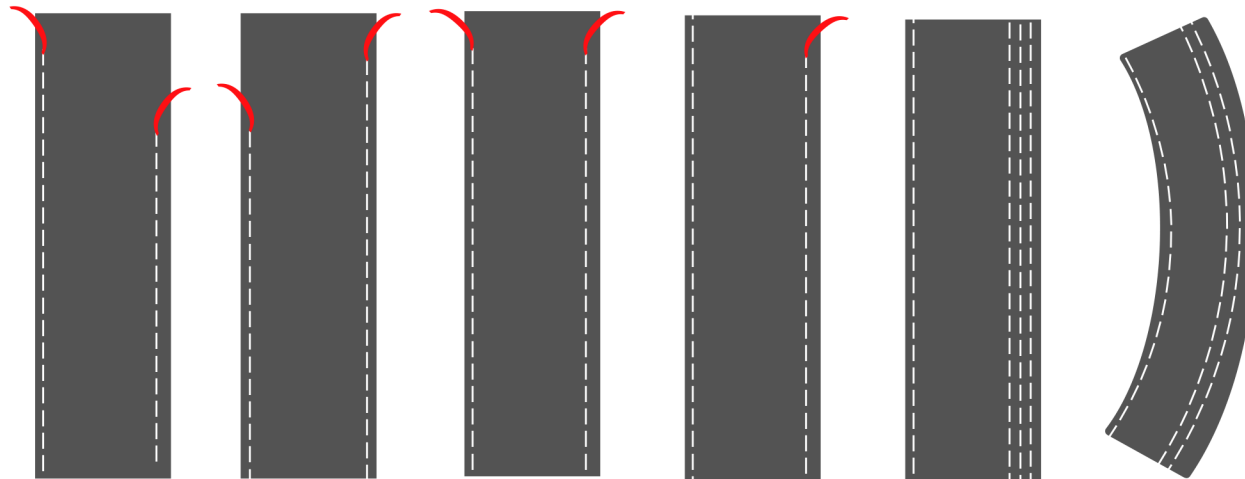
Optional Gauge Sets

Needle Distance : 1/4 "

Needle No : Minimum 1 , Maximum 4

Gauge Set Size : Minimum 1 3/4" , Maximum 2 3/4"

## Skip Stitch Options





Machine Head :	Needle feed 6 needle chain stitch
Motor :	Direct drive servo electronic motor
Table and Stand :	Adjustable L type
Skip Stitch :	Stand-alone adjustable left and right stitch skipping
Cutting :	Automatic cutting device on enter and exit
Foot Lifter :	Automatic
Extra Pulling :	Additional pulling roller device behind the blade
Needle Cooling :	Extra strong needle cooling
Presser Foot :	Guided pressure foot
Roller Device :	Upper and lower rubber roller
Puller Adjustment :	Easy to change puller adjustment system
Oil Tank Drain :	Oil tank drain mechanism for an easy oil change.
Roller Air Pressure :	Extra air pressure system on roller.

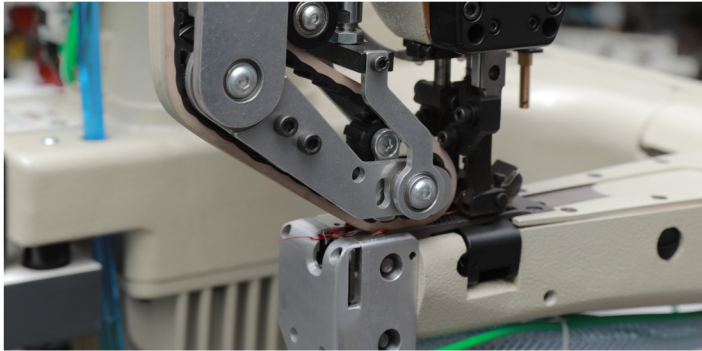
Tension Mechanism:	That prevents sharp chain stitch effects
Touch Screen :	Turkish and English languages option
Blade Cutting Range :	65 mm
Maximum Speed :	3200 rpm
Daily Capacity :	1300-1600 pcs/8 hours
Net Weight :	98 kg
Gross Weight :	111 kg
Dimensions	60x100x130 cm
Air Pressure :	6 bar
Voltage :	220-240v 60Hz
Power :	2400-2800w



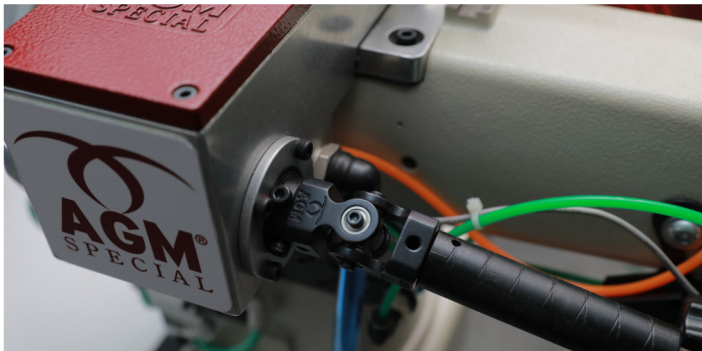
# KZ 1060 JL-T3

Feed Off The Arm Sewing Machine For Jeans





This machine is the result of AGM Special R&D team's long-lasting effort. Equipped with a special full-oil gearbox system and special movable 3 roller pallet puller system, this machine will minimize the stitch defects usually seen in seam joint areas and during long operations.

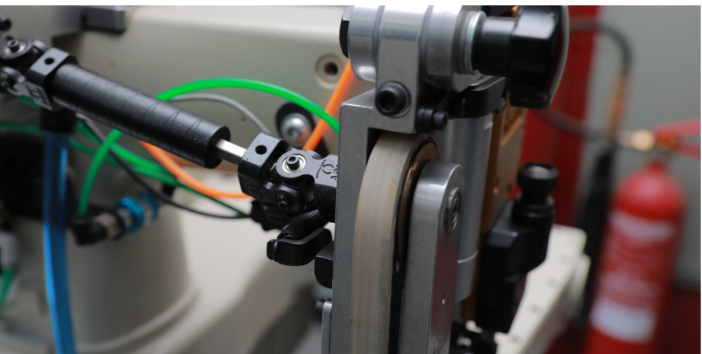


### FULL OIL LUBRICATION SYSTEM GEARBOX

Full oil lubrication transmission system designed by AGM Special R&D department.

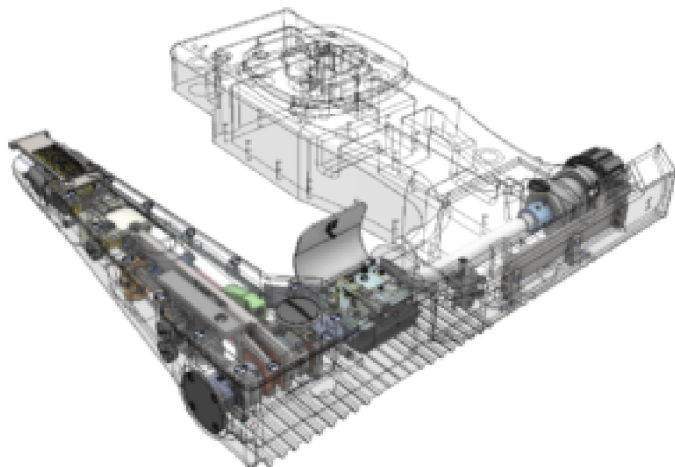
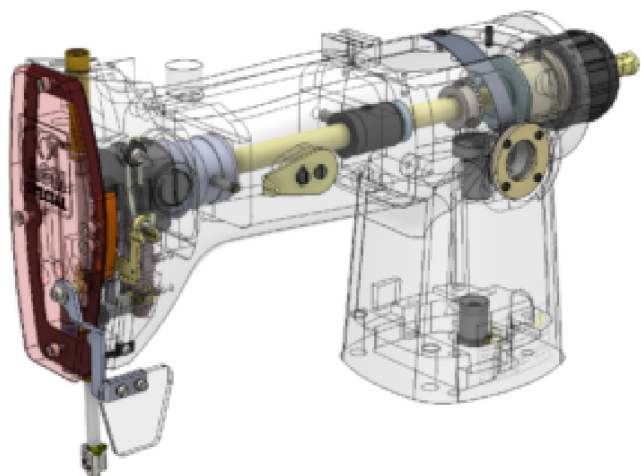
### PULLING DEVICE

Movable 3 roller puller system that prevents overlapping the seam and puckering problems in joint areas .



### SLIM GAUGE SET

Slim gauge set for light fabrics improved by AGM Special.



Full oil lubrication gearbox transmission system.

Movable roller puller system that prevents overlapping the seam and puckering problems in joint areas.

Direct drive servo electronic motor.

Adjustable L type table and stand.

Automatic foot lifter device.

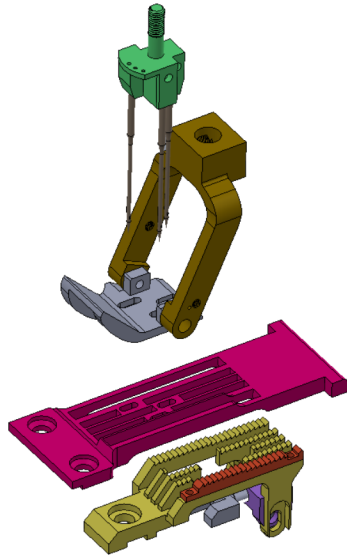
Extra strong needle cooling system.

Special designed guided pressure foot by AGM Special.

Automatic double tension mechanism that prevents sharp chain stitch effects.

3 needle chain stitch machine head with full oil lubrication system.

# Options



## Gauge Set Options

Standard Gauge Set : 1/8"-1/8"

Needle Distance : Minimum 1/8 " , Maximum 1/4 "

Needle No : Minimum 1 , Maximum 3

Gauge Set Size : Minimum 1/8" , Maximum 1/4"

Optional Gauge Sets :

1/8"-1/8" Slim Gauge Set (6.35mm , 3 needle)

3/16" Gauge Set (4.76mm , 2 needle)

9/32" Gauge Set (7.14 mm , 3 needle)

5/32" Gauge Set (4 mm , 2 needle)



# KZ 1060 JL-T3

Feed Off The Arm Sewing Machine For Jeans

## Technical Specifications



Machine Head :	3 needle chain stitch
Motor :	Direct drive servo electronic motor
Table and Stand :	Adjustable L type
Foot Lifter :	Automatic
Gearbox :	Full oil lubrication transmission system
Needle Cooling :	Extra strong needle cooling
Presser Foot :	Guided pressure foot
Pulling Device :	Movable 3 roller puller system
Tension Mechanism :	Automatic double tension mechanism
Maximum Speed :	5000 rpm
Voltage :	220-240v 60Hz
Power :	2400-2800w
Air Pressure :	6 bar

Air Consumption :	3 lt / min
Net Weight :	98 kg
Gross Weight :	111 kg
Dimensions :	60x100x130 cm

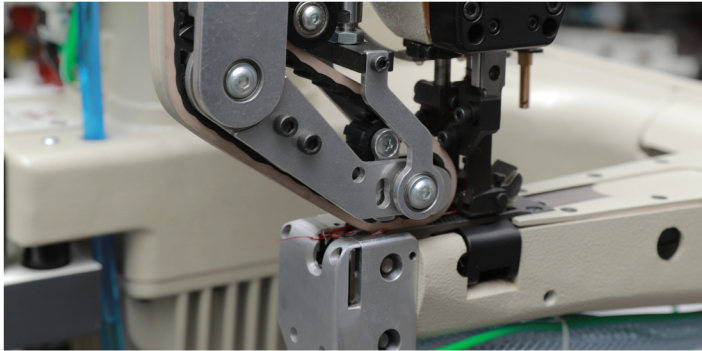


# KZ 1060 JL-T3-ZD 1001

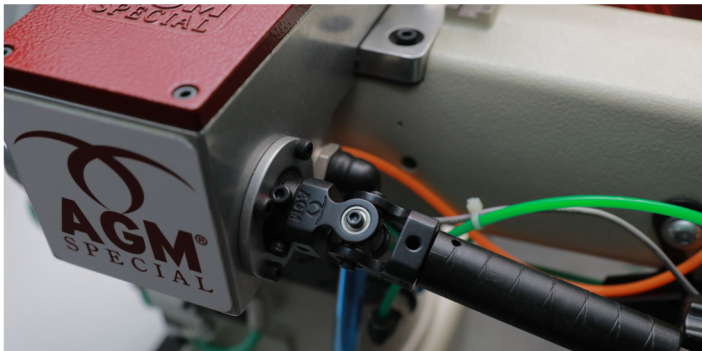
Feed Off The Arm Sewing Machine For Jeans



## Details



This new machine is the result of AGM Special R&D team's long-lasting effort. Equipped with a special full-oil gearbox system and special movable 3 roller pallet puller system, this machine will minimize the stitch defects usually seen in seam joint areas and during long operations.

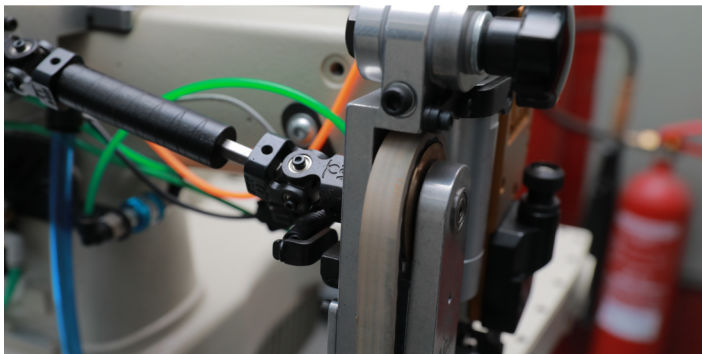


### FULL OIL LUBRICATION SYSTEM GEARBOX

Full oil lubrication transmission system designed by AGM Special R&D department.

### PULLING DEVICE

Movable 3 roller puller system that prevents overlapping the seem and puckering problems in joint areas .



### THREAD CUTTING UNIT

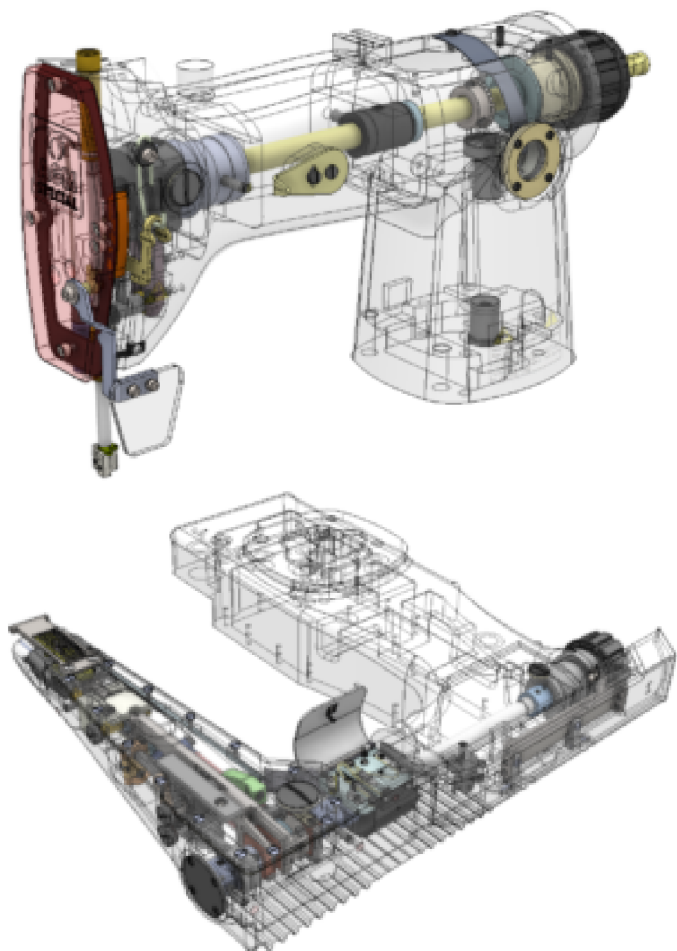
ZD 1001 model automatic cutting unit designed by AGM Special.

### SLIM GAUGE SET

Slim gauge set for light fabrics improved by AGM Special.



# Technical Features



Full oil lubrication gearbox transmission system.

Movable roller puller system that prevents overlapping the seam and puckering problems in joint areas.

ZD 1001 model long lasting thread cutting system designed by AGM Special.

Direct drive servo electronic motor.

Adjustable L type table and stand.

Automatic foot lifter device.

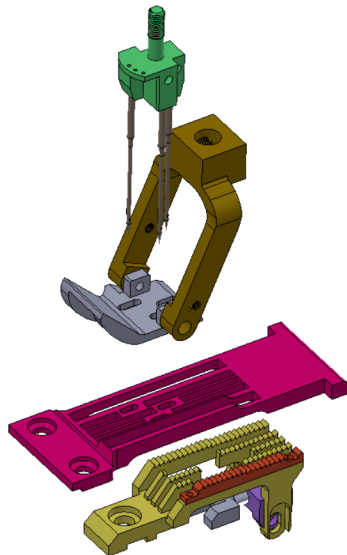
Extra strong needle cooling system.

Special designed guided pressure foot by AGM Special.

Automatic double tension mechanism that prevents sharp chain stitch effects.

3 needle chain stitch machine head with full oil lubrication system.

# Options



## Gauge Set Options

Standard Gauge Set : 1/8"-1/8"

Needle Distance : Minimum 1/8 " , Maximum 1/4 "

Needle No : Minimum 1 , Maximum 3

Gauge Set Size : Minimum 1/8" , Maximum 1/4"

Optional Gauge Sets :

1/8"-1/8" Slim Gauge Set (6.35mm , 3 needle)

3/16" Gauge Set (4.76mm , 2 needle)

9/32" Gauge Set (7.14 mm , 3 needle)

5/32" Gauge Set (4 mm , 2 needle)



# KZ 1060 JL-T3-ZD 1001

Feed Off The Arm Sewing Machine For Jeans

## Technical Specifications



Machine Head :	3 needle chain stitch	Air Pressure :	6 bar
Motor :	Direct drive servo electronic motor	Air Consumption :	3 lt / min
Table and Stand :	Adjustable L type	Net Weight :	98 kg
Foot Lifter :	Automatic	Gross Weight :	111 kg
Thread Cutting :	Long lasting thread cutting system	Dimensions :	60x100x130 cm
Gearbox :	Full oil lubrication transmission system		
Needle Cooling :	Extra strong needle cooling		
Presser Foot :	Guided pressure foot		
Pulling Device :	Movable 3 roller puller system		
Tension Mechanism :	Automatic double tension mechanism		
Maximum Speed :	5000 rpm		
Voltage :	220-240v 60Hz		
Power :	2400-2800w		



# KZ 1080 DFX-T1

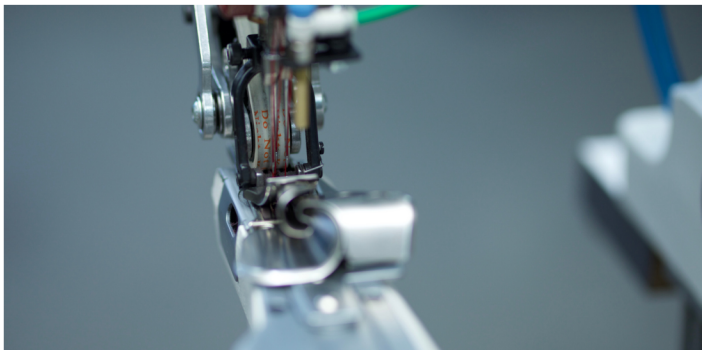
Feed Off The Arm Sewing Machine For Jeans



## Details



The unique feeding system enables to handle all kind of fabric thicknesses , ranging from 8 ounce elasthan denim fabric to 14 ounce full cotton denim fabric with ease , making it an ideal choice for manufacturers who work with a different range of materials.

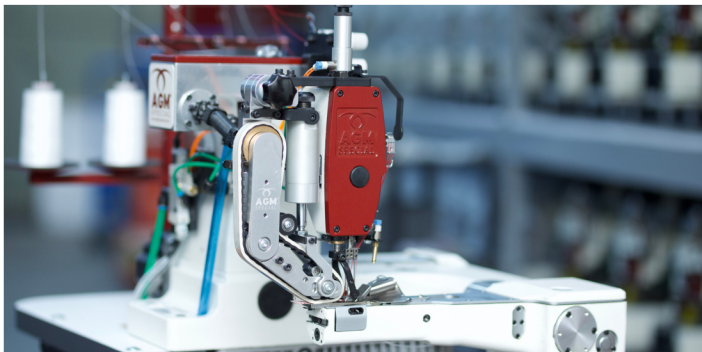


### DIFFERENTIAL FEEDING

Stand-alone adjustable differential feeding dog system that provides ease of use for the operator and allows perfect sewing of different fabrics.

### FULL OIL LUBRICATION SYSTEM GEARBOX

Full oil lubrication transmission system designed by AGM Special R&D department.



### PULLING DEVICE

Movable 3 roller puller system that prevents overlapping the seem and puckering problems in joint areas .

### SLIM GAUGE SET

Slim gauge set for light fabrics improved by AGM Special.



Stand-alone adjustable differential feeding system that provides ease of use for the operator and allows perfect sewing of different fabrics.

Full oil lubrication gearbox transmission system.

Movable roller puller system that prevents overlapping the seam and puckering problems in joint areas.

Direct drive servo electronic motor.

Adjustable L type table and stand.

Automatic foot lifter device.

Extra strong needle cooling system.

Special designed guided pressure foot by AGM Special

Automatic double tension mechanism that prevents sharp chain stitch effects.

3 needle chain stitch machine head with full oil lubrication system.

# Options

## Gauge Set Options

Standard Gauge Set : 1/8"-1/8"

Needle Distance : Minimum 1/8 " , Maximum 1/4 "

Needle No : Minimum 1 , Maximum 3

Gauge Set Size : Minimum 1/8" , Maximum 1/4"

Optional Gauge Sets :

1/8"-1/8" Slim Gauge Set (6.35mm , 3 needle)

3/16" Gauge Set (4.76mm , 2 needle)

9/32" Gauge Set (7.14 mm , 3 needle)

5/32" Gauge Set (4 mm , 2 needle)



Feeding Mechanism :	Differential feeding	Air Pressure :	6 bar
Machine Head :	3 needle chain stitch	Air Consumption :	3 lt / min
Motor :	Direct drive servo electronic motor	Net Weight :	98 kg
Table and Stand :	Adjustable L type	Gross Weight :	111 kg
Foot Lifter :	Automatic	Dimensions :	60x100x130 cm
Gearbox :	Full oil lubrication transmission system		
Needle Cooling :	Extra strong needle cooling		
Presser Foot :	Guided pressure foot		
Pulling Device :	Movable 3 roller puller system		
Tension Mechanism :	Automatic double tension mechanism		
Maximum Speed :	5000 rpm		
Voltage :	220-240v 60Hz		
Power :	2400-2800w		





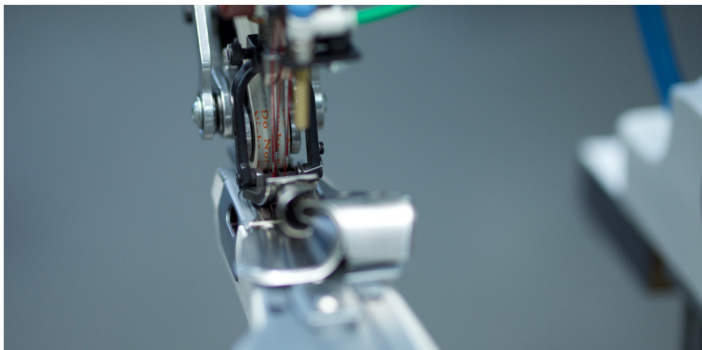
# KZ 1080 DFX-T1-ZD 1001

Feed Off The Arm Sewing Machine For Jeans





The unique feeding system enables to handle all kind of fabric thicknesses , ranging from 8 ounce elasthan denim fabric to 14 ounce full cotton denim fabric with ease , making it an ideal choice for manufacturers who work with a different range of materials.

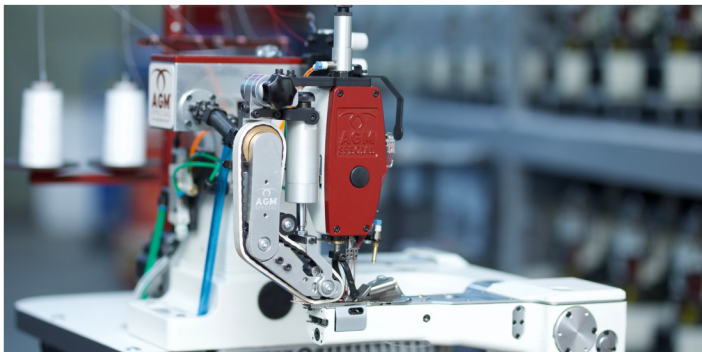


### DIFFERANTIAL FEEDING

Stand-alone adjustable differential feeding dog system that provides ease of use for the operator and allows perfect sewing of different fabrics.

### FULL OIL LUBRICATION SYSTEM GEARBOX

Full oil lubrication transmission system designed by AGM Special R&D department.



### PULLING DEVICE

Movable 3 roller puller system that prevents overlapping the seem and puckering problems in joint areas .

### SLIM GAUGE SET

Slim gauge set for light fabrics improved by AGM Special.



Stand-alone adjustable differential feeding system that provides ease of use for the operator and allows perfect sewing of different fabrics.

Full oil lubrication gearbox transmission system.

Movable roller puller system that prevents overlapping the seam and puckering problems in joint areas.

ZD 1001 model long lasting thread cutting system designed by AGM Special.

Direct drive servo electronic motor.

Adjustable L type table and stand.

Automatic foot lifter device.

Extra strong needle cooling system.

Special designed guided pressure foot by AGM Special

Automatic double tension mechanism that prevents sharp chain stitch effects.

3 needle chain stitch machine head with full oil lubrication system.

# Options

## Gauge Set Options



Standard Gauge Set : 1/8"-1/8"

Needle Distance : Minimum 1/8 " , Maximum 1/4 "

Needle No : Minimum 1 , Maximum 3

Gauge Set Size : Minimum 1/8" , Maximum 1/4"

Optional Gauge Sets :

1/8"-1/8" Slim Gauge Set (6.35mm , 3 needle)

3/16" Gauge Set (4.76mm , 2 needle)

9/32" Gauge Set (7.14 mm , 3 needle)

5/32" Gauge Set (4 mm , 2 needle)

Feeding Mechanism :	Differential feeding	Power :	2400-2800w
Machine Head :	3 needle chain stitch	Air Pressure :	6 bar
Motor :	Direct drive servo electronic motor	Air Consumption :	3 lt / min
Table and Stand :	Adjustable L type	Net Weight :	98 kg
Foot Lifter :	Automatic	Gross Weight :	111 kg
Thread Cutting :	Long lasting thread cutting system	Dimensions :	60x100x130 cm
Gearbox :	Full oil lubrication transmission system		
Needle Cooling :	Extra strong needle cooling		
Presser Foot :	Guided pressure foot		
Pulling Device :	Movable 3 roller puller system		
Tension Mechanism :	Automatic double tension mechanism		
Maximum Speed :	5000 rpm		
Voltage :	220-240v 60Hz		

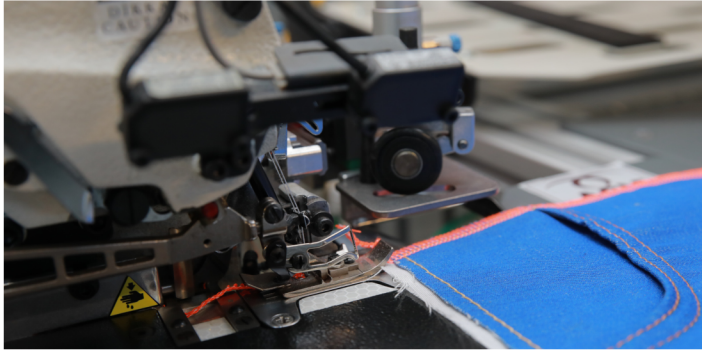


# KLR 400-T2

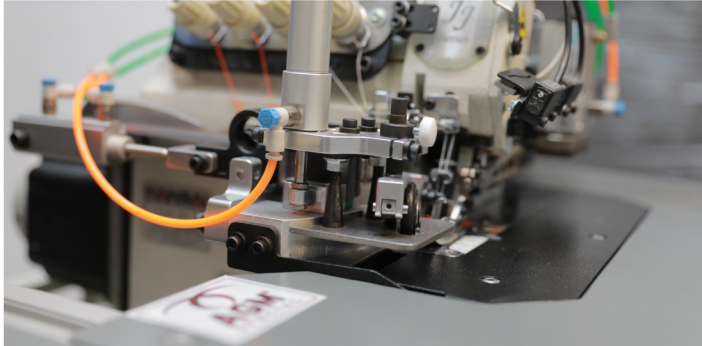
Double Head Serging/Sewing Automat For Jeans



## Details



The paradigm-shifting innovation. The world's first and only double-head serging automat. A real game changer resulted from many years of effort by Agm Special engineers. Innovative and practical, this serging machine can sew simultaneously both right and left trouser panels. The KLR 400-T2 is economically viable because it reduces by half the number of operators previously required for the this type operation.

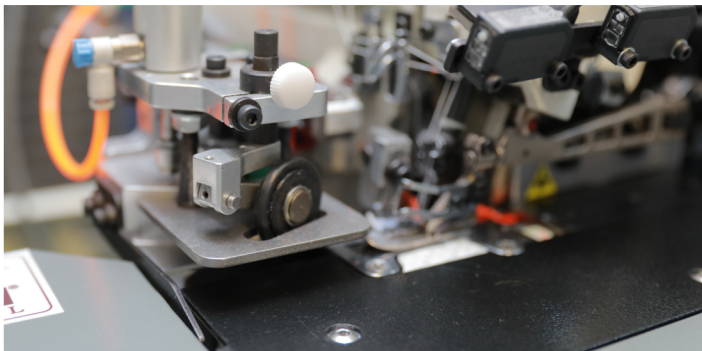


### UNIQUE DESIGN

Unique design that allows left and right two panels to be feeding from top to bottom at the same time.

### THE PRECISE THREAD CUTTING UNIT

The precise thread cutting unit with pre vacuum movable double knife and post vacuum movable double knife can be cut the threads at the beginning and at the end of the process.

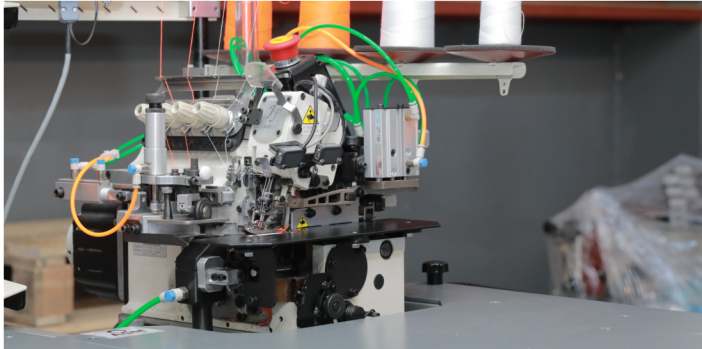


### SPECIALLY DESIGN FOR JEANS

Specially designed for jeans fabric 4-thread left hand and 4-thread standard overlock machine head.

### ADJUSTABLE ACCURATE ZYPPIY UNIT

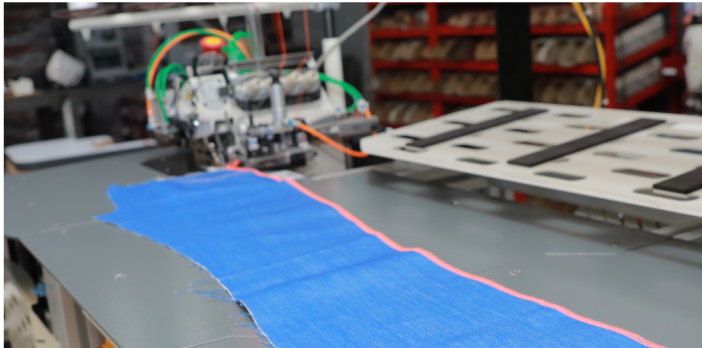
New designed adjustable accurate zyppy unit that moves left- right and up-down according to different kinds of fabrics(light to heavy fabrics included full lycra and power stretches).



Unique design that allows left and right two panels of the jeans trousers to be feeding from top to bottom at the same time.

The precise thread-cutting unit that can cut the threads at the beginning and at the end of the process with a double knife developed by a professional AGM Special R&D team.

Specially designed for jeans fabric 4-thread left hand and 4-thread standard overlock machine head.



New designed adjustable accurate zyppy unit that moves left- right and up-down according to different kinds of fabrics(light to heavy fabrics included full lycra and power stretches).

All kinds of deeply curved forms and straight forms of the panels can be surging precisely through the new fabric edge guide designed by AGM Special R&D experts.



New designed stacker unit adjustable towards up and down for different lengths of panels.

The new automatic double-tension system enables automatically the tension while stitching and tension while empty chain stitch separately.

Very easy-to-use touch screen with Turkish and English languages option.



# Options

## Gauge Set Options

Standard Gauge Set :

Threads No : 4 threads

Needle Distance : 3 mm

Gauge Set Size : 9mm

Optional Gauge Sets :

Threads No: 3 threads

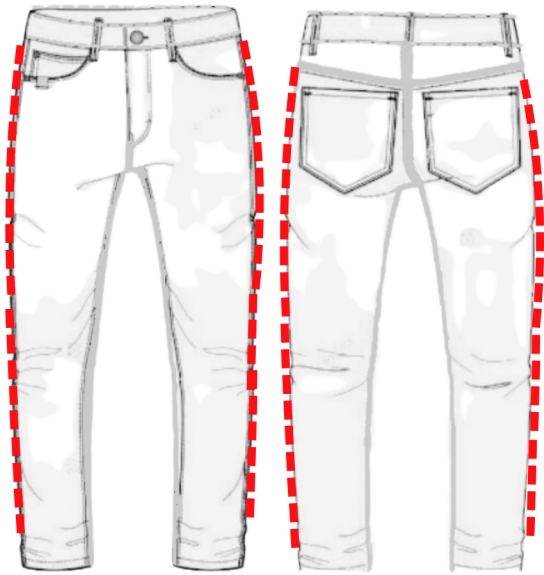
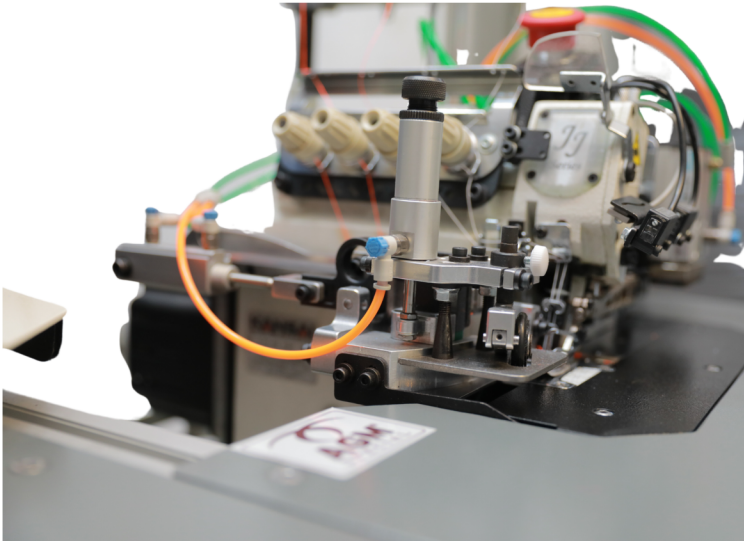
Needle Distance : 2-3 mm

Serging Width : 3mm - 9mm

Threads No : 4 threads

Needle Distance : 2-3 mm

Serging Width : 5.5mm - 9mm



# KLR 400-T2

Double Head Serging/Sewing Automat For Jeans

## Technical Specifications



Thread Cutting :	Pre-post vacuum movable double knife
Machine Head :	4 thread overlock
Motor :	Direct drive servo electronic motor
Zyppy Unit :	Adjustable up-down left-right
Stacker Unit :	Adjustable up-down
Tension Mechanism :	Enables automaticly stitching and empty chain stitch
Presser Foot :	Special designed guided pressure foot
Touch Screen	Turkish and English languages option
Voltage :	220-240v 60Hz
Power :	4800-5600w
Air Pressure :	6 bar
Air Consumption :	8 lt / min
Daily Capacity :	6000 panels/8 hours

Net Weight :	250 kg
Gross Weight :	300 kg
Dimensions :	200x120x160 cm



# Contact



[www.agmspecial.com](http://www.agmspecial.com)

**AGM Special Mak. San. Ve Dış Tic. A.Ş**  
**Birlik Mh., Karaoğlanoğlu Cd. 7/A, 34230**  
**Esenler/İstanbul Türkiye**

**Asil Grup Mak. San. Ve Dış Tic. Ltd. Şti.**  
**İkitelli O.S.B. Süleyman Demirel Bulv. İş Modern San. Sit. G:11-12**  
**Başakşehir/İstanbul Türkiye**

